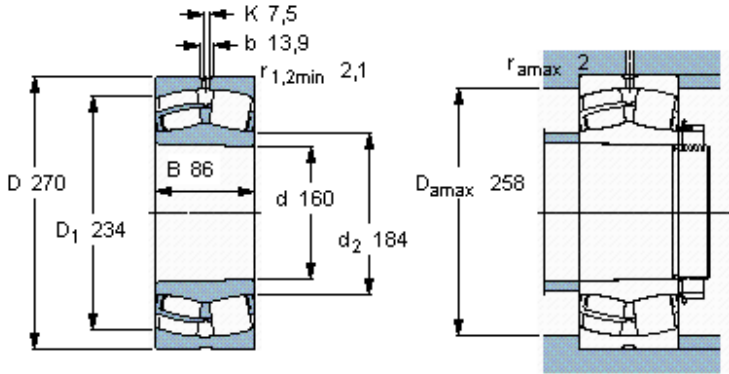


Spherical roller bearings, cylindrical and tapered bore

Principal dimensions			Basic load ratings		Speed ratings		Designation
d	D	B	dynamic C	static C0	Reference speed	Limiting speed	
mm			kN		r/min		
<b>160</b>	270	86	1029	1370	1900	2400	<b>* SKF Explorer bearing</b> 23132 CCK/W33 *



Tapered bore, taper  
1: 12

**Calculation factors**

- e 0,3
- Y<sub>1</sub> 2,3
- Y<sub>2</sub> 3,4
- Y<sub>0</sub> 2,2